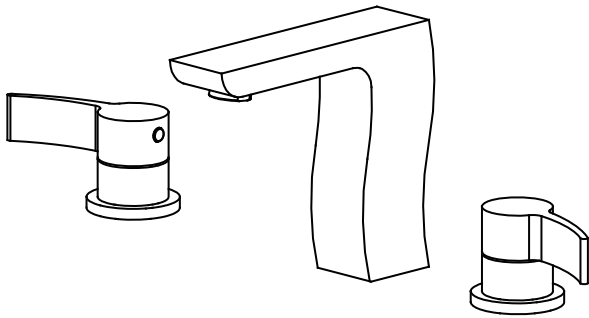


WA1005 | 3-Hole Basin Mixer



SPECIFICATIONS:

- Solid Brass construction
- 3 Hole Installation
- 23 LPM Flow Rate at 3 BAR
- Ceramic disc cartridge allows both volume and temperature control

FINISHES :

- Chrome - WA1005

STANDARDS:

- ASME A112.18.1 / CSA B125.1

LowFlow Capable



Legislation Compliance



Belgian Mirror Finish



Technical Diagram

