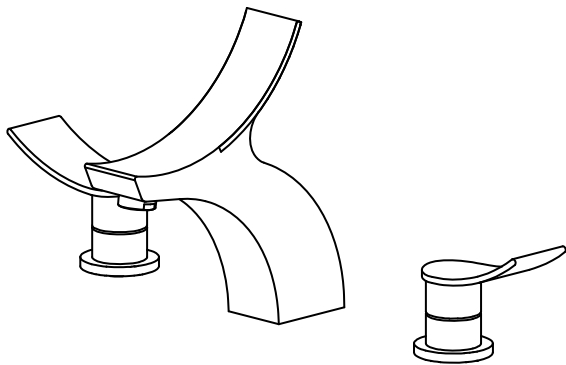


## W1005 | 3-Hole Basin Mixer



### SPECIFICATIONS:

- Solid Brass construction
- 3 Hole Installation
- 23 LPM Flow Rate at 3 BAR
- Ceramic disc cartridge allows both volume and temperature control

### FINISHES :

- Chrome - W1005

### STANDARDS:

- ASME A112.18.1 / CSA B125.1

LowFlow Capable



Legislation Compliance



Belgian Mirror Finish



### Technical Diagram

