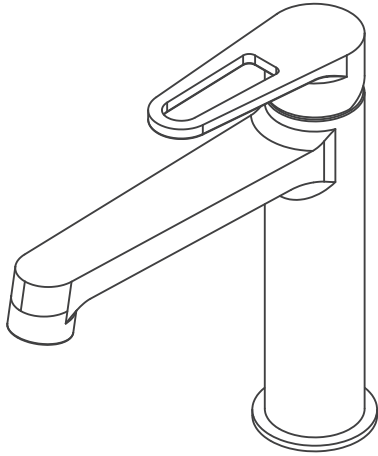


## 90.1000 | Single Lever Basin Mixer



### SPECIFICATIONS:

- Solid Brass construction
- Single Hole Installation
- 11 LPM Flow Rate at 3 BAR
- Ceramic disc cartridge allows both volume and temperature control

### FINISHES :

- Chrome - 90.1000

### STANDARDS:

- ASME A112.18.1 / CSA B125.1

LowFlow Capable



Legislation Compliance



Belgian Mirror Finish



### Technical Diagram

