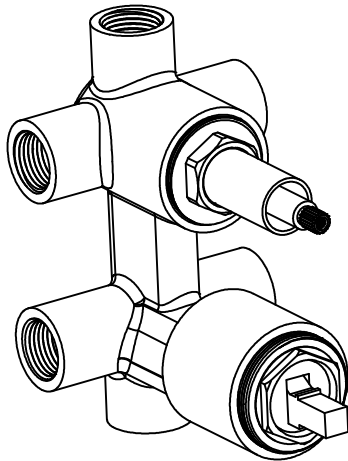


50.4100C | Single Lever 4- Way Concealed Diverter



SPECIFICATIONS:

- Solid Brass construction
- 21 LPM Flow Rate at 3 BAR
- Diverter Controls Water Flow between 4 outlets
- Ceramic disc cartridge allows both volume and temperature control

FINISHES :

- Chrome (CR), French Gold (FG), Black Bronze (BB)

STANDARDS:

- ASME A112.18.1 / CSA B125.1

Legislation Compliance



Belgian Mirror Finish



Technical Diagram

