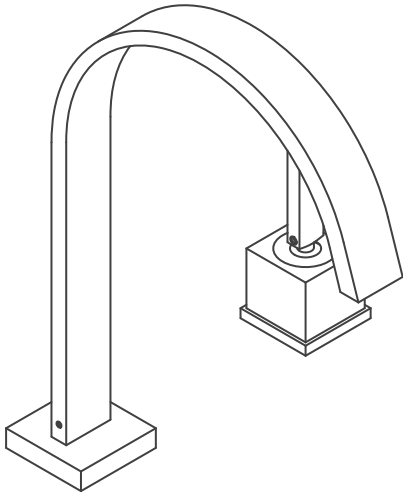


170.2010 | 2-Hole Joystick Basin Mixer



SPECIFICATIONS:

- Solid Brass construction - includes valve
- 2 Hole Installation
- 23 LPM Flow Rate at 4 BAR
- Dual Handles provide volume and temperature control

FINISHES :

- Chrome - 170.2010

STANDARDS:

- ASME A112.18.1 / CSA B125.1

LowFlow Capable



Legislation Compliance



Belgian Mirror Finish



Technical Diagram

