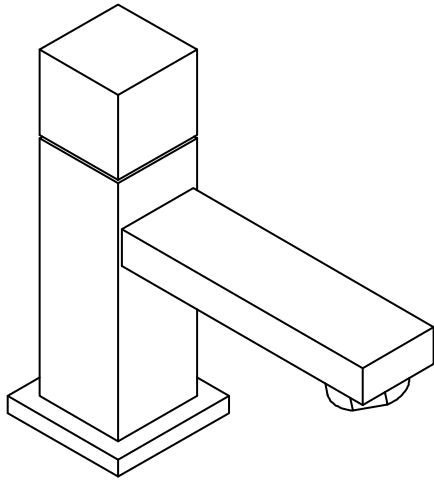


160.2500 | Pillar Tap



SPECIFICATIONS:

- Solid Brass construction
- Single Hole Installation
- 23 LPM Flow Rate at 3 BAR
- Ceramic disc cartridge allows volume control

FINISHES :

- Chrome - 160.2500

STANDARDS:

- ASME A112.18.1 / CSA B125.1, NSF-61

LowFlow Capable



Legislation Compliance



Belgian Mirror Finish



Technical Diagram

