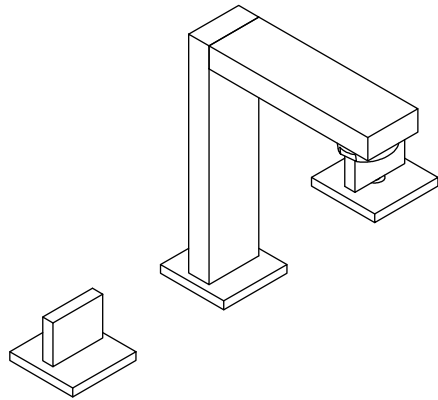


160.2000 | 3 Hole Basin Mixer



SPECIFICATIONS:

- Solid Brass construction
- Three Hole Installation
- 16 LPM Flow Rate at 3 BAR
- With 90° Ceramic Headparts

FINISHES :

- Chrome - 160.2000

STANDARDS:

- ASME A112.18.1 / CSA B125.1, NSF-61

LowFlow Capable



Belgian Mirror Finish



Technical Diagram

