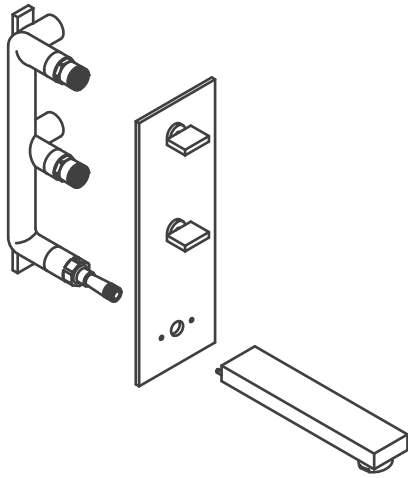


160.1960 | 3-Hole Wall Mounted Basin Mixer



SPECIFICATIONS:

- Solid Brass construction - includes valve
- 3 Hole Installation
- 15 LPM Flow Rate at 3 BAR
- Ceramic disc allows both volume and temperature control

FINISHES :

- Chrome - 160.1960

STANDARDS:

- ASME A112.18.1 / CSA B125.1, NSF-61

LowFlow Capable



Legislation Compliance



Belgian Mirror Finish



Technical Diagram

