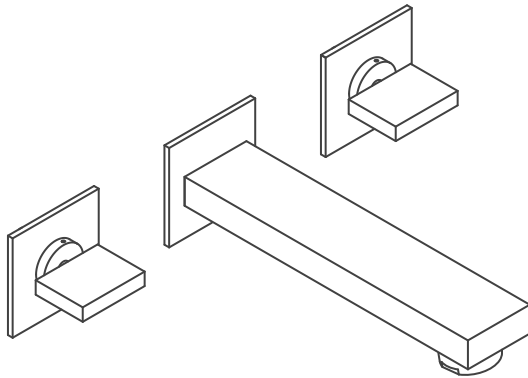


160.1900 | 3-Hole Wall Mounted Basin Mixer



SPECIFICATIONS:

- Solid Brass construction - includes valve
- Three Hole Installation
- 12 LPM Flow Rate at 3 BAR
- Dual Handles provide volume and temperature control

FINISHES :

- Chrome - 160.1900

STANDARDS:

- ASME A112.18.1 / CSA B125.1, NSF-61

LowFlow Capable



Legislation Compliance



ZeroDrip Technology



Belgian Mirror Finish



Technical Diagram

