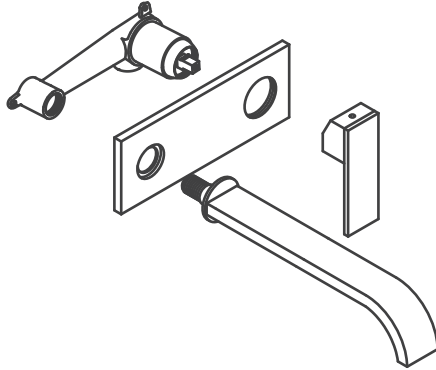


## 160.1850 | Single Lever Wall Mounted Basin Mixer



### SPECIFICATIONS:

- Solid Brass construction - includes valve
- 12 LPM Flow Rate at 3 BAR
- Ceramic disc cartridge allows both volume and temperature control

### FINISHES :

- Chrome - 160.1850

### STANDARDS:

- ASME A112.18.1 / CSA B125.1, NSF-61

LowFlow Capable



Legislation Compliance



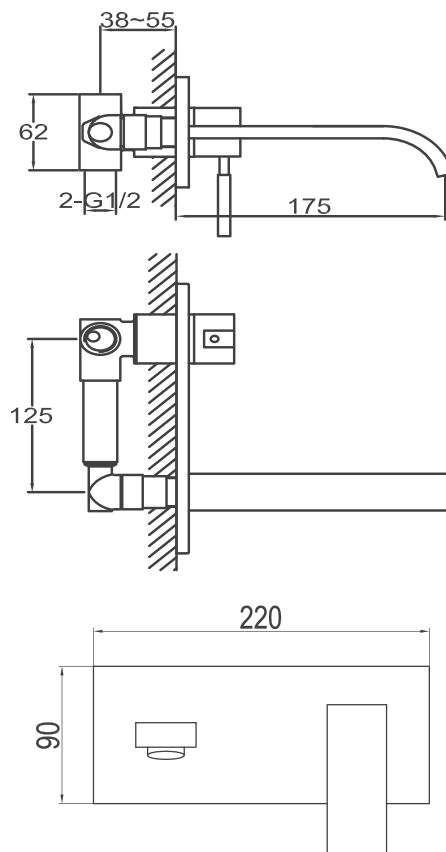
ZeroDrip Technology



Belgian Mirror Finish



### Technical Diagram



Critical Dimensions in mm

[www.isenberg.in](http://www.isenberg.in)