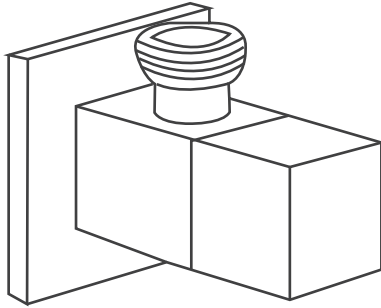


160.1640 | Angle Valve



SPECIFICATIONS:

- Solid Brass construction
- Single Hole Installation

FINISHES :

- Chrome - 160.1640

STANDARDS:

- ASME A112.18.1 / CSA B125.1, NSF-61

LowFlow Capable



Belgian Mirror Finish



Technical Diagram

