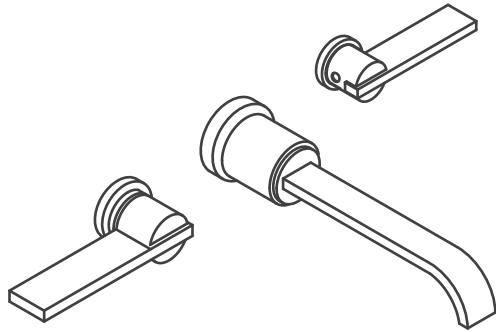


## 145.1900 | 3-Hole Wall Mounted Basin Mixer



### SPECIFICATIONS:

- Solid Brass construction
- 3 Hole Installation
- 14 LPM Flow Rate at 3 BAR
- Ceramic disc cartridge allows both volume and temperature control

### FINISHES :

- Chrome - 145.1900

### STANDARDS:

- ASME A112.18.1 / CSA B125.1, NSF-61 & EPA Watersense

LowFlow Capable



Legislation Compliance



### Technical Diagram

