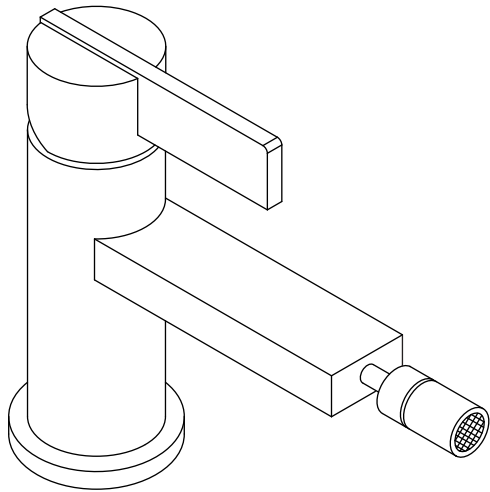


## 145.1300 | Single Lever Bidet Mixer



### SPECIFICATIONS:

- Solid Brass construction
- Single Hole Installation
- 7 LPM Flow Rate at 3 BAR
- Ceramic disc cartridge allows both volume and temperature control

### FINISHES :

- Chrome - 145.1300

### STANDARDS:

- ASME A112.18.1 / CSA B125.1

LowFlow Capable



Legislation Compliance



### Technical Diagram

