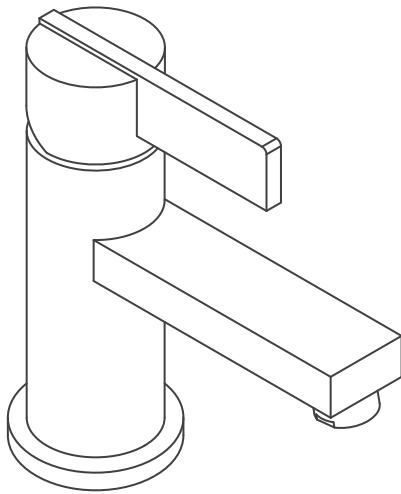


145.1000 | Single Lever Basin Mixer



SPECIFICATIONS:

- Solid Brass construction
- Single Hole Installation
- 11 LPM Flow Rate at 3 BAR
- Ceramic disc cartridge allows both volume and temperature control

FINISHES :

- Chrome - 145.1000

STANDARDS:

- ASME A112.18.1 / CSA B125.1, NSF-61 & EPA Watersense

LowFlow Capable



Legislation Compliance



Belgian Mirror Finish



Technical Diagram

