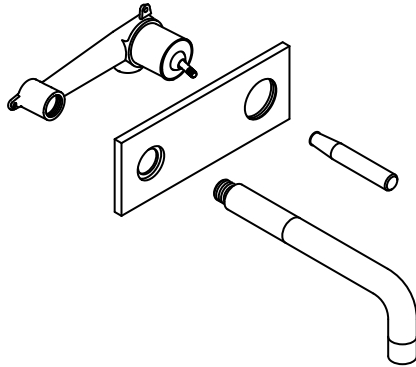


120.1850 | Joystick Wall Mounted Basin Mixer



SPECIFICATIONS:

- Solid Brass construction
- 22 LPM Flow Rate at 3 BAR
- Ceramic disc cartridge allows both volume and temperature control

FINISHES :

- Chrome - 120.1850

STANDARDS:

- ASME A112.18.1 / CSA B125.1

LowFlow Capable



Legislation Compliance



Technical Diagram

