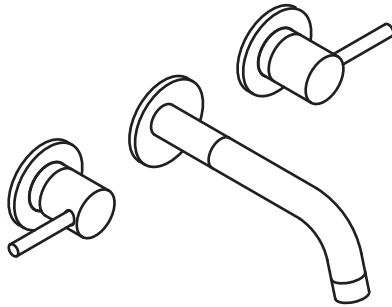


**100.1950 | 3-Hole Wall Mounted Basin Mixer**



**SPECIFICATIONS:**

- Solid Brass construction - includes valve
- 3 Hole Installation
- 12 LPM Flow Rate at 3 BAR
- Dual Handles provide volume and temperature control

**FINISHES :**

- Chrome - 100.1950

**STANDARDS:**

- ASME A112.18.1 / CSA B125.1, NSF-61 & EPA Watersense

LowFlow Capable



Legislation Compliance



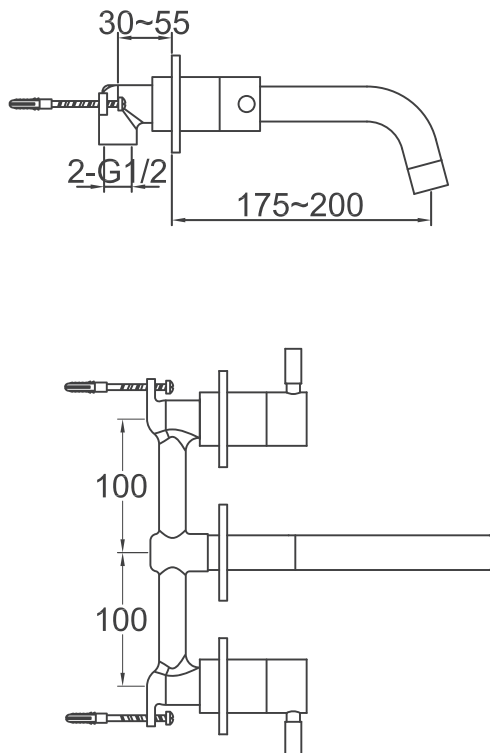
ZeroDrip Technology



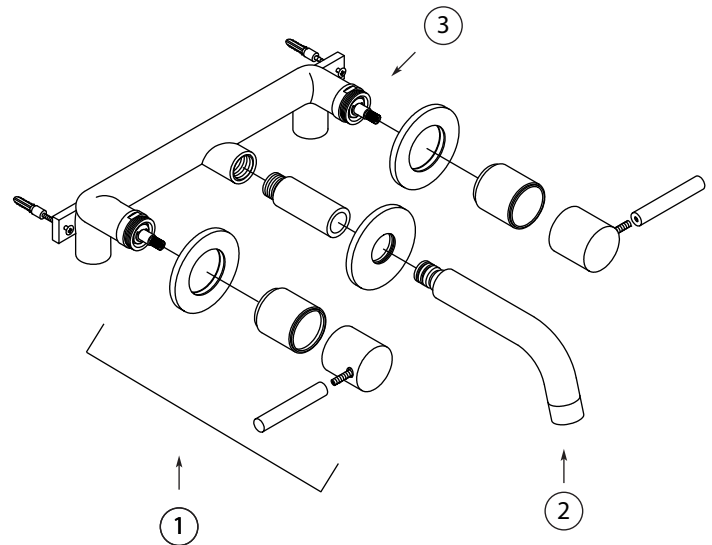
Belgian Mirror Finish



**Technical Diagram**



**Exploded View**



**Part Number Guide:**

- ① Handle Kit - 100.1950-2352
- ② Aerator - 100.1950-2364
- ③ Spindle Kit - 100.1950-1991