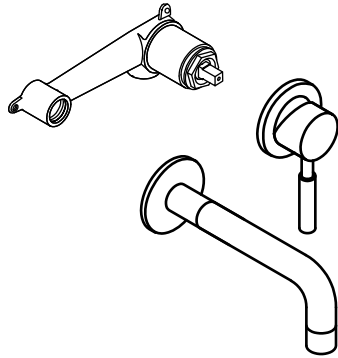


100.1800 | Single Lever Wall Mounted Basin Mixer



SPECIFICATIONS:

- Solid Brass construction - includes valve
- 2 Hole Installation
- 12 LPM Flow Rate at 3 BAR
- Ceramic disc cartridge allows both volume and temperature control

FINISHES :

- Chrome - 100.1800

STANDARDS:

- ASME A112.18.1 / CSA B125.1

LowFlow Capable



Legislation Compliance



Belgian Mirror Finish



Technical Diagram

