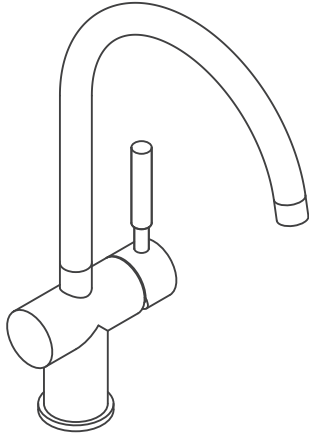


100.1400 | Single Lever Sink Mixer



SPECIFICATIONS:

- Solid Brass construction
- Single Hole Installation
- 15 LPM Flow Rate at 3 BAR
- Ceramic disc cartridge allows both volume and temperature control

FINISHES :

- Chrome - 100.1400

STANDARDS:

- ASME A112.18.1 / CSA B125.1

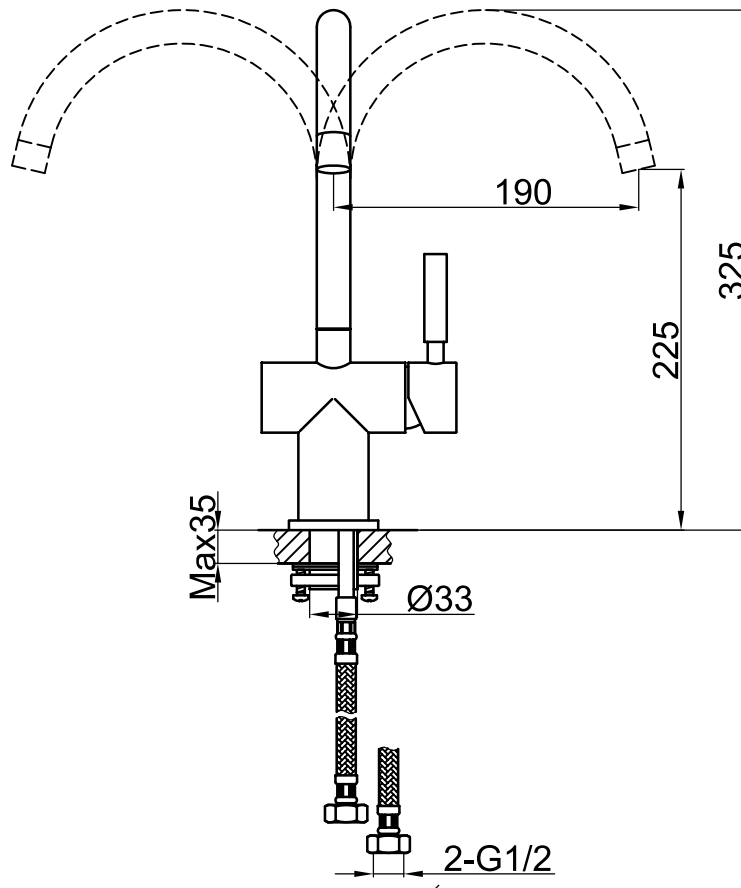
LowFlow Capable



Legislation Compliance



Technical Diagram



Critical Dimensions in mm

www.isenberg.in