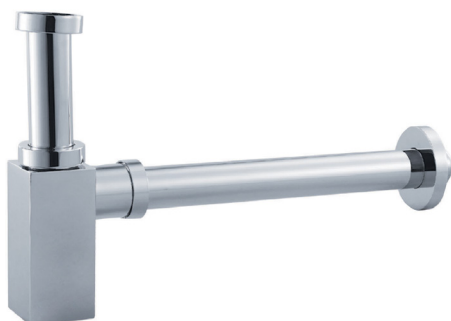


HS1008 | Design-Siphon



SPECIFICATIONS:

- Chrome
- Solid Brass Construction

FINISHES :

- Chrome - HS1008

STANDARDS:

- ASME A112.18.1 / CSA B125.1, NSF-61 & EPA Watersense

LowFlow Capable



Legislation Compliance



ZeroDrip Technology



Belgian Mirror Finish



Technical Diagram

