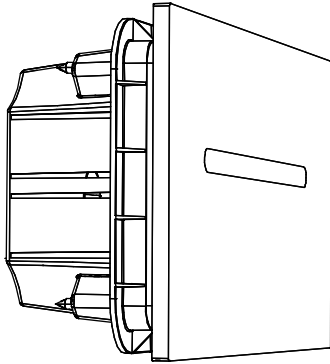


## CFB.2150 | Cascade Flow In-Wall Waterfall Shower Head



### SPECIFICATIONS:

- Stainless Steel Construction
- Includes Concealed Part
- Flow Rate: ~ 17.5L/Min @ 3 BAR
- Water Projection From Face plate - Approximately 4-5 Inches\*  
\*Distance the water falls away from the face plate.

### FINISHES :

- Chrome

### STANDARDS:

- ASME A112.18.1 / CSA B125.1

Legislation Compliance



### Technical Diagram

