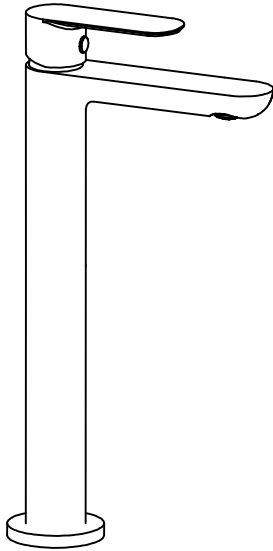


70.1700 | Extended Single Lever Basin Mixer



SPECIFICATIONS:

- Solid Brass construction
- Single Hole Installation
- 12 LPM Flow Rate at 3 BAR
- Ceramic disc cartridge allows both volume and temperature control

FINISHES :

- Chrome (CR), French Gold (FG), Black Bronze (BB)

STANDARDS:

- ASME A112.18.1 / CSA B125.1

LowFlow Capable



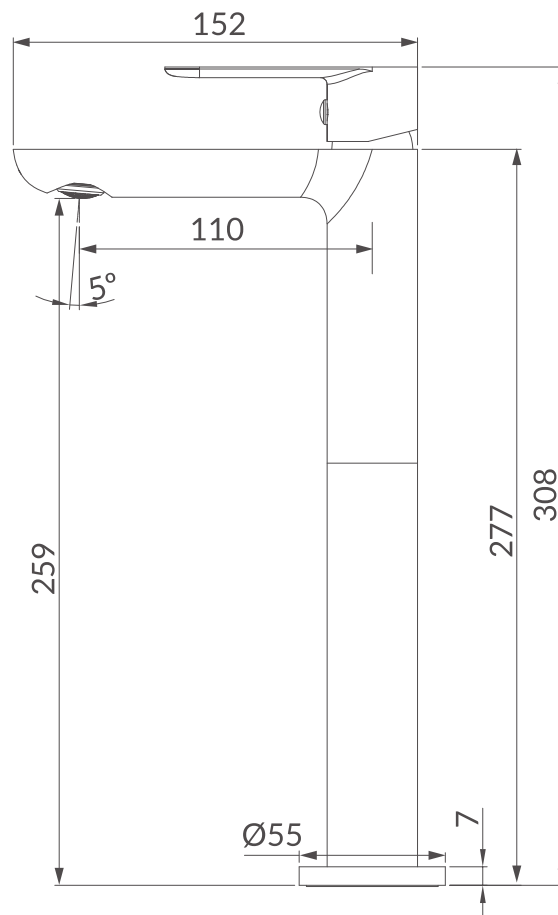
Legislation Compliance



Belgian Mirror Finish



Technical Diagram



Critical Dimensions in mm

www.isenberg.in