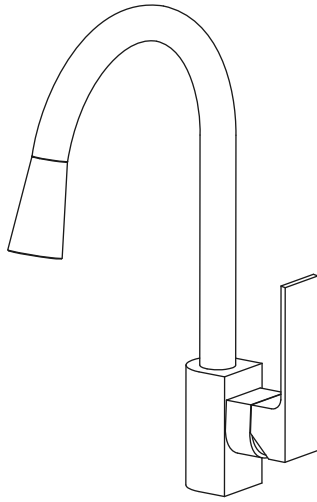


160.1400S | Single Lever Pull-Out Sink Mixer



SPECIFICATIONS:

- Solid Brass Construction
- Single Hole Installation
- 15.5 LPM Flow Rate at 3 BAR
- Ceramic disc cartridge allows both volume and temperature control

FINISHES :

- Chrome - 160.1400S

STANDARDS:

- ASME A112.18.1 / CSA B125.1, NSF-61

LowFlow Capable



Legislation Compliance



Belgian Mirror Finish



Technical Diagram

