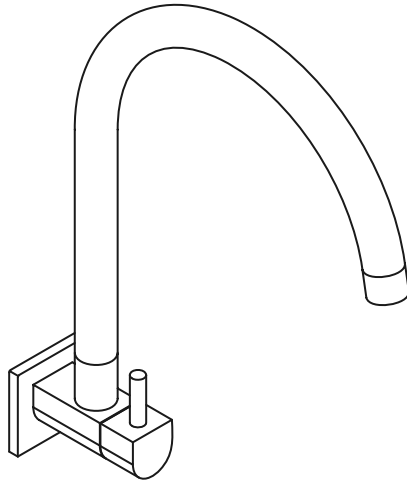


## 160.1400C | Sink Cock



### SPECIFICATIONS:

- Solid Brass construction
- Single Hole Wall Mounted Installation
- 15 LPM Flow Rate at 3 BAR

### FINISHES :

- Chrome - 160.1400C

### STANDARDS:

- ASME A112.18.1 / CSA B125.1, NSF-61

LowFlow Capable



Legislation Compliance



Belgian Mirror Finish



### Technical Diagram

