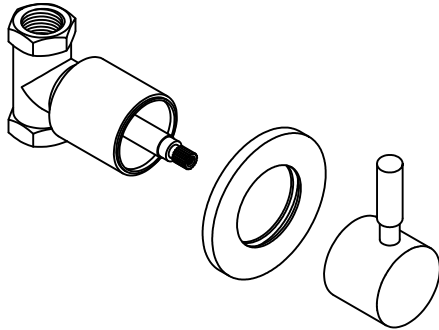


100.4510 | Concealed Stop Cock



SPECIFICATIONS:

- Solid Brass construction

FINISHES :

- Chrome - 100.4510

STANDARDS:

- ASME A112.18.1 / CSA B125.1

Legislation Compliance



Technical Diagram

